



**MITSUBISHI  
MOTORS**  
Drive your Ambition



**NEW**  
**XPANDER**  
**LIVE BEYOND LIMITS**





**LIVE  
BEYOND LIMITS**





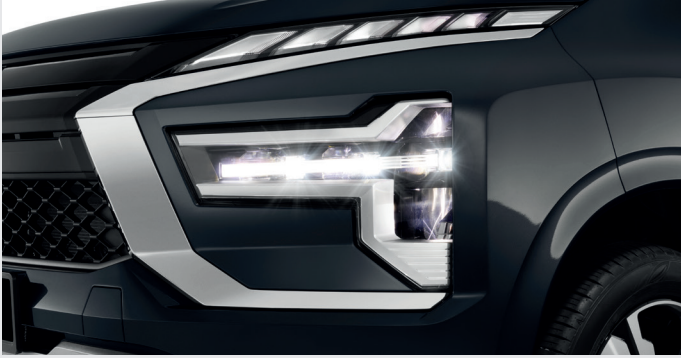
Every journey towards the extraordinary begins with the Mitsubishi XPANDER. Crafted and engineered with your ambitions in mind, it's your constant companion as you chase your dreams, take on challenges, and embrace every adventure.

It's time to go where your heart leads. Go beyond the ordinary. Go further.



# GO STYLISH

The sleek, bold exterior of the new Mitsubishi XPANDER meets your demand for form and performance.



## **[NEW]** T-shape LED Headlamps

Advanced and sharp styling for better visibility at night.



## **[NEW]** T-illumination LED Tail Lamps

Crafted tail lights offer enhanced visibility and aesthetics, with a premium design.



## **[NEW]** Stylish Tailgate Spoiler\*\*

Designed to optimise aerodynamics and enhance stability, enjoy improved performance with a sporty profile.



## **[NEW]** 17" Dual-tone Alloy Wheels

Dynamic duotones on 17-inch alloy wheels give the new XPANDER added styling.



## **[NEW]** Scuff Plate\*

Style and protection come together to add flair and elegance.



## **Dynamic Shield Design**

The Mitsubishi's Dynamic Shield Design exudes confidence and stability, making a bold entry wherever it goes.





Front



Rear

**[NEW] Silver Accent Front & Rear Bumpers**

Touches of silver provide a striking appearance that elevates overall aesthetics.





# GO IN COMFORT

Step inside to appreciate the Mitsubishi XPANDER's perfect blend of innovation, style, and features.



## **[NEW]** Sporty Steering Wheel with Audio & Cruise Control

Safety and comfort are enhanced with effortless music and cruise control at your fingertips.



## **[NEW]** Wireless Charger\*\*

Featuring an innovative wireless charging port alongside multiple USB charging ports. Designed to keep you powered up effortlessly.





### **Leatherette Seats\***

Luxurious seats pamper every occupant with both comfort and easy-care.



### **Rear Air Circulator**

Rear passengers can personalise their comfort with 4-speed fan adjusters.



### **[NEW] Digital Climate Control**

Optimise climate control with Max Cool function for instant cooling.



### **[NEW] Premium Soft Touch**

A refined driving experience awaits with the XPANDER's elegant new dashboard.



### **[NEW] 9" Multimedia Display with Apple Car Play & Android Auto Ready\*\***

Access your favourite phone apps through the large capacitive touch-screen.



### **Tilt & Telescopic Steering**

Adjust steering wheel to optimum height and position.



# GO SPACIOUS

The Mitsubishi XPANDER'S spacious interior adapts effortlessly to you, be it family needs or cargo demands, ensuring joy in every ride.

## Xpandable Seat Configuration



**2<sup>nd</sup> & 3<sup>rd</sup> Row Seat up**



**3<sup>rd</sup> Row Seat Fold Flat & 2<sup>nd</sup> Row Seat Half up**



**3<sup>rd</sup> Row Seat Fold Flat**



**2<sup>nd</sup> & 3<sup>rd</sup> Row Seat Fold Flat**



## Smart Storage



**[NEW] Leatherette Center Console Arm Rest**



**[NEW] 2<sup>nd</sup> Row Arm Rest with Cup Holder**





Visuals shown are for illustration purposes only. Specifications may vary according to variant/market. Please consult your local Mitsubishi Motors dealer for more information.



**Cargo Floor Box with Lid**



**Front Console Tray with Card Holder & Storage**



**Underseat Multi-purpose Storage**



**Glove Box with Double Compartment**



**2nd Row Smart Pocket Storage**



**3rd Row Side Pocket & Cup-holder**





# GO WITH POWER

Feel the thrill of the XPANDER's exhilarating performance and unmatched power.

Visuals shown are for illustration purposes only. Specifications may vary according to variant/market. Please consult your local Mitsubishi Motors dealer for more information.

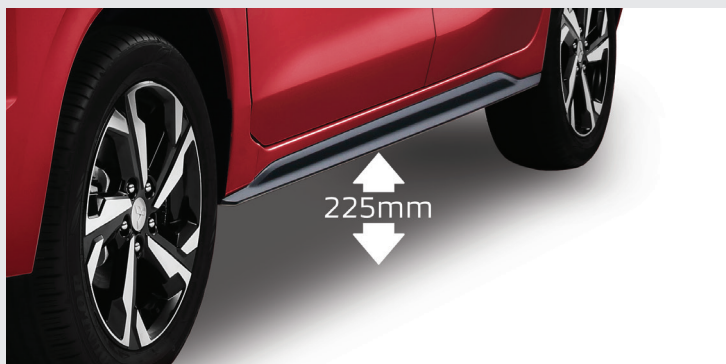




**105 PS Max Power**  
**141 NM Max Torque**

### MIVEC Engine

The MIVEC Aluminum Block Engine strikes the perfect balance, delivering smooth performance with low fuel consumption and reduced noise.



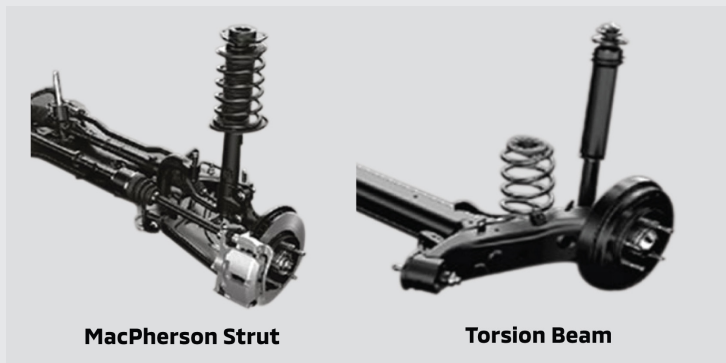
### [BEST IN CLASS] 225mm High Ground Clearance

From rough roads to light terrains, or even flash floods, the XPANDER's high ground clearance handles a variety of challenging conditions with ease.



### Small Turning Radius

Effortless maneuverability even in the most confined spaces.



### Suspension Optimised for Comfort

The XPANDER features high-performance shock absorbers, optimising comfort and ensuring a smooth, controlled ride.





# GO SAFE

With advanced safety features, enjoy peace of mind on every journey. You and your loved ones are always protected in the Mitsubishi XPANDER.



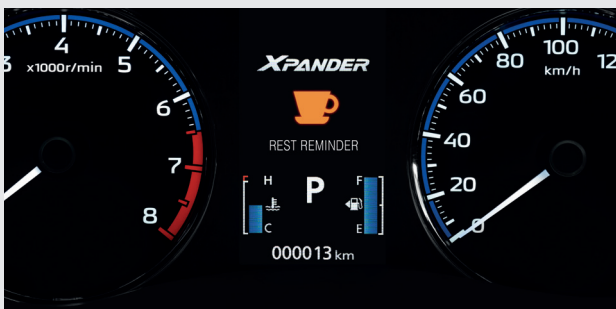
## **[NEW] All Round Monitor\***

Get a bird's-eye view of your surroundings, making parking safe and easy.



## **[NEW] Electronic Parking Brake & Brake Auto Hold**

Enjoy effortless control and enhanced safety with advanced braking features.



## **Rest Reminder**

Reminds driver to rest during long journeys and arrive at the destination safely.



## **SRS Airbags**

Protect driver and front passenger in the event of a collision.

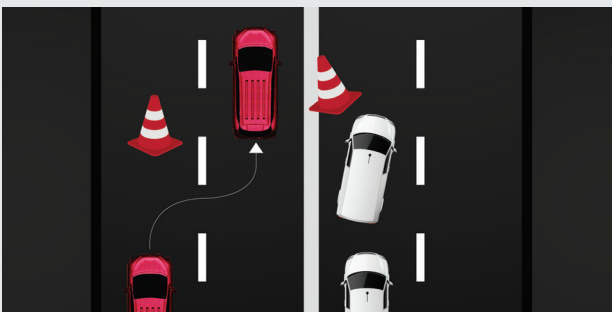




**Front & [FIRST-IN-CLASS] Rear DVR\***

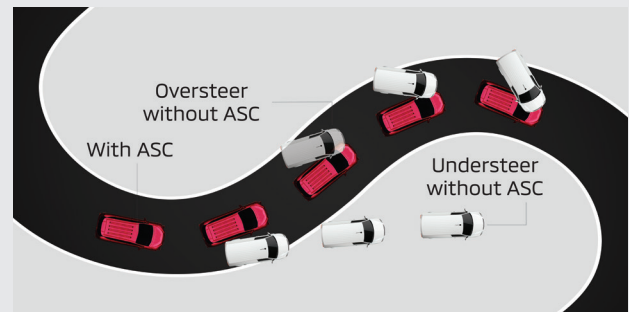
You drive, it captures. Record every moment or incident in HD recording.

Visuals shown are for illustration purposes only. Specifications may vary according to variant/market. Please consult your local Mitsubishi Motors dealer for more information.  
\*Mitsubishi Motors Malaysia Authorised Dealer Package.



**Anti-lock Braking System (ABS) & Electronic Brake-force Distribution (EBD)**

Take full control at all times with enhanced stability and optimised stopping efficiency.



**Active Stability Control (ASC) with Traction Control (TC)**

ASC automatically applies brake-force to maintain control. Traction Control maintains grip on slippery or rugged surfaces.



**Hill-start Assist (HSA)**

Prevent backward rolling on inclines via automatic brake-force before accelerator is applied.



**Brake Assist System (BAS)**

The XPANDER instinctively applies added brake force during emergency situations.



# SPECIFICATIONS

Model / Variant	XPANDER	XPANDER PLUS
-----------------	---------	--------------

## Engine & Transmission

Engine Type	1.5L MIVEC DOHC 16 Valve	
Displacement	cc	1,499
Max. Output (EEC-Net)	PS / rpm	105 / 6,000
Max. Torque (EEC-Net)	Nm / rpm	141 / 4,000
Transmission	4-speed Automatic	

## Chassis & Suspension

Suspension	Front	MacPherson Strut Coil Springs with Stabilizer Bar & Built-in Strut Bar
	Rear	
Brake	Front	Ventilated Disc
	Rear	Drum
Steering	Rack & Pinion with Electric Power Steering (EPS)	
Tyres	205/55 R17	
Tyres & Rims	17" Dual Tone Alloy Design	

## Dimensions

Overall	Length	mm	4,475
	Width	mm	1,750
	Height	mm	1,730
Wheelbase	mm		2,775
	Track	mm	1,520
Weight	Kerb	kg	1,275
	Gross	kg	1,780
Ground Clearance	mm		225
Min. Turning Radius	m		5.2
Fuel System	Electronically Multi-Point Injection		
Fuel Tank Capacity	litre	45	

## STANDARD EQUIPMENT

### Exterior Features

Headlamps	Type	Auto LED	
	Daytime Running Lights (DRL)	With	
	Welcome Light & Coming Home Light System	With (Auto)	
	Levelling Device	With (Manual)	
Front Fog Lamps	Type	With	
Bumper (FF & RR)	Black Accent		Silver Accent
	Side Sills	-	With
Door Mirrors	Power Adjustable & Fold with Integrated LED Turn Indicators		
Door Handles	Chrome		
Beltline Moulding	Chrome		
Windshield	Front	Sound Insulation Film	
Rear Combination Lamps	LED (Body & Rear Gate)		
Antenna	Shark Fin		
Wipers	Front	With (Auto & Variable Intermittent)	
	Rear	With	

### Interior Features

Push Start Ignition	With		
Meter Panel	Type	High-contrast	
	Multi-Information Display (MID)	With (4.2" TFT Color LCD)	
	Eco Drive Assist	With (Score Indicator)	
USB	Front: 2 Ports & Rear: 2 Ports		
12V Power Socket	Front, Center Console & 3 <sup>rd</sup> Row		
Air Conditioning	Front (Digital)	Auto Climate	
	Rear (Air Circulator)	With (Individual Vents)	
Steering Wheel	Type	Leather-wrap with Audio & Cruise Control Switches	
	Adjustment	Tilt & Telescopic	
Cruise Control	With		
Power Windows	With (Driver's side Auto up / Down with Anti-pinch)		
Door Trims with Soft Touch and Stitches	With		
Smart Storage	Cargo Floor Box with Lid	With (Dedicated Storage Compartment)	
	Glove Box with Two Compartments	With	
Front Console Tray	With (Card Holder & Storage)		
Center Console Arm Rest	With		
2nd Row Arm Rest	With (Cup Holder)		



Model / Variant	XPANDER	XPANDER PLUS
-----------------	---------	--------------

### Interior Features

Seats	Front Adjustments	Driver (Manual with Height Adjustment) Passenger (Manual)
	Multi-purpose Storage Underseat	With (Passenger)
	Second Row Adjustments	One Touch Tumble Feature
	Smart Storage Pocket	With
	Third row Adjustments	With (Reclination Only)
	Flat Folding Seats	With
Luggage Capacity (When 3rd Row Seats are Folded)	Litre	495

### SAFETY

#### Active

Electronic Parking Brake		With
Brake Auto Hold		With
Anti-lock Braking System (ABS)		With
Electronic Brake-force Distribution (EBD)		With
Brake Assist (BA)		With
Active Stability Control (ASC)		With
Traction Control (TC)		With
Rest Reminder		With
Hill-start Assist (HSA)		With
Emergency Stop Signal System (ESS)		With
Seatbelt Reminder		Driver & Passenger
ISOFIX Child Restraint Mounting		With Top Tether (x2)
Child Lock Protection		With

#### Passive

SRS Airbags		2 (Driver & Passenger SRS Airbags)
RISE Body		With Extra Rigid Frame
Child Lock Protection		With (x2)
Side Impact Door Beams		With
Seatbelts	Front	3-point ELR with Double Pretensioner (Driver) & Force Limiter
	Rear	3-point ELR (x3)
Head Impact Protection Structure		With
Collapsible Steering Column		With
Collapsible Brake Pedal		With

#### Mitsubishi Motors Malaysia Authorised Dealer Package

All-Round Monitor (ARM)		-	With (Guide Lines)
Reverse Camera		With	-
Driving Video Recorder (DVR)	Front	-	With
	Rear	-	With
Reverse Sensor			With
Alarm System with Immobiliser			With
Door Visor		-	With
Interior Scuff Plate		-	With
Leatherette Seat		-	With

#### MITSUBISHI MOTORS Genuine Accessories

Audio System	Type	9" Touchscreen with USB, Apple Carplay & Android Auto Ready	
	Speakers	6	
Wireless Charger		-	With
Tailgate Spoiler		-	With
Carpet Mat		With	



● [NEW] Graphite Gray

● Red Metallic

● Diamond Black Mica

○ Quartz White Pearl



Visuals shown are for illustration purposes only. Specifications may vary according to variant/market. Please consult your local Mitsubishi Motors dealer for more information.



# LIVE BEYOND LIMITS



## MITSUBISHI MOTORS

Exclusive Distributor:

Mitsubishi Motors Malaysia Sdn Bhd  
(680028-M)

Level 6, Building A, Dataran PHB, Saujana Resort,  
Seksyen U2, 40150 Shah Alam, Selangor.



    MitsubishiMotorsMalaysia [www.mitsubishi-motors.com.my](http://www.mitsubishi-motors.com.my)

Authorised Dealer:

1. Mitsubishi Motors Malaysia reserves the right to alter any details of specifications and equipment without prior notice.
2. Vehicle and specifications may vary from models available locally. Vehicle body and accessory colours may differ slightly from illustrations.
3. XPANDER is assembled by Mitsubishi Motors Malaysia Sdn. Bhd. under the license and technical assistance by MITSUBISHI MOTORS CORPORATION.
4. The items in the "Mitsubishi Motors Malaysia Authorised Dealer Package" are accessories upgrade by Mitsubishi Motors Malaysia authorised dealers.
5. The items in the "MITSUBISHI MOTORS Genuine Accessories" category are not covered by the vehicle warranty and are subject to the conditions of the accessory warranty. For warranty conditions regarding these accessories, please contact an authorised MITSUBISHI MOTORS dealer.